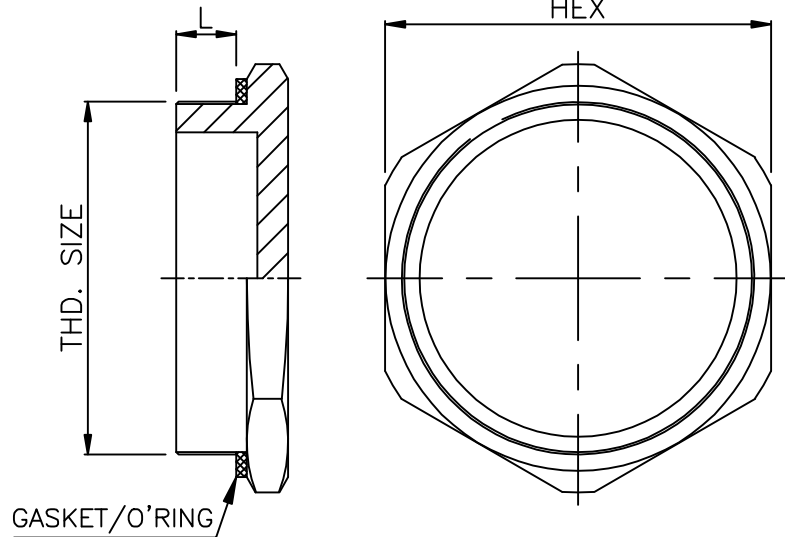


THREADED PLUG



SPECIFICATION

TYPE OF PROTECTION :-
Ex'd' AS PER IS/IEC 60079-1:2007

DEGREE OF INGRESS PROTECTION :-
IP-66 AS PER IS/IEC 60529:2001

GAS GROUPS, ZONE :-
I (COAL MINENS)

CONSTRUCTION :-
BRASS NICKEL PLATED AS STANDARD

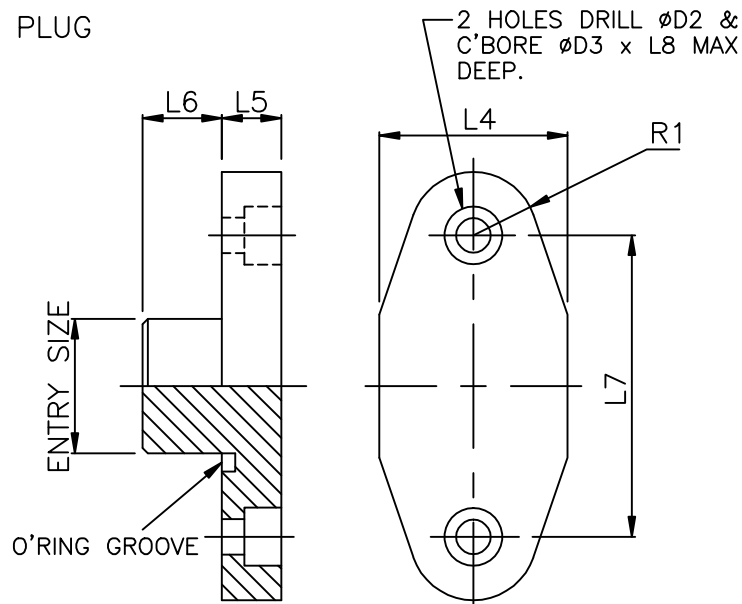
GASKET/O'RING :-
ENDLESS MOLDED NEOPRENE

ORDERING CODE :-
CAT. NO. FOLLOWED BY SIZE e.g. KBP20-T-I M20x1.5 OR KBP20-S-I

SIZE & CAT NO. :-

CIMFR CERT NO.:- CIMFR/TC/P/H656
SUPPLE. T.C. NO.:- CIMFR/TC/S/1237
SUPPLE. T.C. NO.:- CIMFR/TC/S/H164
TYPE/CAT NO.:- KCE-**-I SERIES

SPIGOT PLUG



CAT.NO. (THREADED)	THD. SIZE METRIC	THD. SIZE ET	THD. SIZE NPT	HEX	L
KBP12-T-I	M12x1.5	-	1/4"	20	15
KBP16-T-I	M16x1.5	-	3/8"	20	15
KBP20-T-I	M20x1.5	3/4"	1/2"	25	15
KBP25-T-I	M25x1.5	1"	3/4"	32	15
KBP32-T-I	M32x1.5	1 1/4"	1"	38	17.5
KBP40-T-I	M40x1.5	1 1/2"	1-1/4"	42	17.5
KBP50-T-I	M50x1.5	2"	1-1/2"	56	20
KBP63-T-I	M63x1.5	2 1/2"	2"	75	20
KBP75-T-I	M75x1.5	3"	2-1/2"	82	20

CAT.NO. (SPIGOT)	ENTRY SIZE	L4	L5	L6	L7	L8	D2	D3	R1
KBP12-S-I	12.70/12.63	25.0	10.0	15.0	19.20	6.0	6.0	10.5	10.0
KBP16-S-I	15.90/15.83	25.0	10.0	15.0	31.85	6.0	6.0	10.5	10.0
KBP20-S-I	19.05/18.98	30.0	11.0	15.0	44.45	7.0	7.0	11.5	12.0
KBP25-S-I	25.4/25.33	36.0	11.0	15.0	57.15	7.0	7.0	11.5	12.0
KBP32-S-I	31.75/31.68	44.0	12.0	15.0	69.85	9.0	9.0	15.5	15.0
KBP40-S-I	38.10/38.03	52.0	13.0	15.0	82.55	9.0	9.0	15.5	15.0
KBP50-S-I	50.80/50.73	66.0	14.0	15.0	95.25	11.0	11.0	19.0	18.0
KBP63-S-I	63.50/63.43	81.0	15.0	15.0	114.3	11.0	11.0	19.0	18.0
KBP75-S-I	76.2/76.13	96.0	16.0	15.0	127.0	13.0	13.0	21.0	21.0

GASKET/O'RING NOT PROVIDED IN NPT THREADS

CLIENT		DRAWN	KBP	1.3.12	DESCRIPTION:-
CONSULTANT		APP'D	HPB	1.3.12	FLAMEPROOF & WEATHERPROOF
P.O.No.		CH'D	NPB	1.3.12	BLANKING / STOPPER PLUG

THE INFORMATION CONTAINED IN THIS DRAWING IS THE PROPERTY OF KAYSONS TECHNO EQUIPMENTS PVT. LTD. AND IS NOT TO BE COPIED OR MISUSED IN ANY WAY.

ISSUE	DATE	BY	MODIFICATION

KAYSONS 1802/7, G.I.D.C. ESTATE,
TECHNO EQUIPMENTS PVT LTD V.U.NAGAR 388121. (GUJARAT)

SHT.NO.	REV.	DRG.NO.:-
1 OF 1	0	L08